



VIN

Work order N

LEGEND  
 OK (Checked and OK)  
 CHK (Will need future attention)  
 NOK (Not OK, replacement/repair needed)  
 N/A (Not applicable)

<b>1 PRELIMINARY</b>	
1 Campaigns (recall/service) pending	<input type="checkbox"/> YES <input type="checkbox"/> NO
2 MOT/Mandatory vehicle inspection (expiry date)	___ / ___ / ___
<b>2 INTERIOR</b>	
<b>2.1 Driver's position</b> <small>OK CHK NOK N/A</small>	
1 Warning light(s) ON (ESC, Airbag, WRENCH, ...)	<input type="checkbox"/> <input type="checkbox"/> <input type="checkbox"/> <input type="checkbox"/>
2 Stored messages on-board computer	<input type="checkbox"/> <input type="checkbox"/> <input type="checkbox"/> <input type="checkbox"/>
3 Instrument cluster operation (gauges, warning lamps, lighting and dimming)	<input type="checkbox"/> <input type="checkbox"/> <input type="checkbox"/> <input type="checkbox"/>
4 Windshield wipers and washers: control stalk operation	<input type="checkbox"/> <input type="checkbox"/> <input type="checkbox"/> <input type="checkbox"/>
5 Electric parking brake functionality	<input type="checkbox"/> <input type="checkbox"/> <input type="checkbox"/> <input type="checkbox"/>
6 Horn functionality (all areas of pad)	<input type="checkbox"/> <input type="checkbox"/> <input type="checkbox"/> <input type="checkbox"/>
7 Dash console switches	<input type="checkbox"/> <input type="checkbox"/> <input type="checkbox"/> <input type="checkbox"/>
8 Power windows and lock switch	<input type="checkbox"/> <input type="checkbox"/> <input type="checkbox"/> <input type="checkbox"/>
9 Interior mirrors electrochromic dimming (test with flashlight)	<input type="checkbox"/> <input type="checkbox"/> <input type="checkbox"/> <input type="checkbox"/>
10 Exterior mirrors electrochromic dimming (test with flashlight)	<input type="checkbox"/> <input type="checkbox"/> <input type="checkbox"/> <input type="checkbox"/>
11 Driver's seat power movements and controls	<input type="checkbox"/> <input type="checkbox"/> <input type="checkbox"/> <input type="checkbox"/>
12 Steering column movement (tilt, stroke)	<input type="checkbox"/> <input type="checkbox"/> <input type="checkbox"/> <input type="checkbox"/>
13 Heated steering wheel (temperature adjustment functions, if present)	<input type="checkbox"/> <input type="checkbox"/> <input type="checkbox"/> <input type="checkbox"/>
14 Side mirrors functionality (controls and heating)	<input type="checkbox"/> <input type="checkbox"/> <input type="checkbox"/> <input type="checkbox"/>
15 Memory function for driver seat, steering wheel, pedals and mirrors position	<input type="checkbox"/> <input type="checkbox"/> <input type="checkbox"/> <input type="checkbox"/>
16 Foot pedals operation (correct stroke, effort)	<input type="checkbox"/> <input type="checkbox"/> <input type="checkbox"/> <input type="checkbox"/>
17 HVAC controls/vents front and rear (functionality)	<input type="checkbox"/> <input type="checkbox"/> <input type="checkbox"/> <input type="checkbox"/>
18 Defogger/defroster	<input type="checkbox"/> <input type="checkbox"/> <input type="checkbox"/> <input type="checkbox"/>
19 Glove box lid and light	<input type="checkbox"/> <input type="checkbox"/> <input type="checkbox"/> <input type="checkbox"/>
20 Front ceiling courtesy light	<input type="checkbox"/> <input type="checkbox"/> <input type="checkbox"/> <input type="checkbox"/>
21 Accessory power socket/cigar lighter	<input type="checkbox"/> <input type="checkbox"/> <input type="checkbox"/> <input type="checkbox"/>
22 Sunroof and sunshade operation (if present)	<input type="checkbox"/> <input type="checkbox"/> <input type="checkbox"/> <input type="checkbox"/>
23 Luggage compartment lid opening (with switch)	<input type="checkbox"/> <input type="checkbox"/> <input type="checkbox"/> <input type="checkbox"/>
24 Warning chimes and bells	<input type="checkbox"/> <input type="checkbox"/> <input type="checkbox"/> <input type="checkbox"/>
25 Radio/USB: date and time setting, audio quality, radio reception, display visibility and functionality	<input type="checkbox"/> <input type="checkbox"/> <input type="checkbox"/> <input type="checkbox"/>
26 Multimedia controls: knobs and steering wheel commands	<input type="checkbox"/> <input type="checkbox"/> <input type="checkbox"/> <input type="checkbox"/>
27 Test call with Bluetooth-connected mobile phone	<input type="checkbox"/> <input type="checkbox"/> <input type="checkbox"/> <input type="checkbox"/>
28 Voice commands	<input type="checkbox"/> <input type="checkbox"/> <input type="checkbox"/> <input type="checkbox"/>
29 Navigation system mapping updated	<input type="checkbox"/> <input type="checkbox"/> <input type="checkbox"/> <input type="checkbox"/>
30 Wireless charger functionality (if present)	<input type="checkbox"/> <input type="checkbox"/> <input type="checkbox"/> <input type="checkbox"/>
31 Owner's documentation	<input type="checkbox"/> <input type="checkbox"/> <input type="checkbox"/> <input type="checkbox"/>
32 Check Carplay/Android Auto operation both via Cable and Wireless	<input type="checkbox"/> <input type="checkbox"/> <input type="checkbox"/> <input type="checkbox"/>
33 Ambient light functionality	<input type="checkbox"/> <input type="checkbox"/> <input type="checkbox"/> <input type="checkbox"/>
<b>2.2 Left front</b>	
1 Left front seat belt/height adjuster (sliding/return/insert)	<input type="checkbox"/> <input type="checkbox"/> <input type="checkbox"/> <input type="checkbox"/>
2 Seat belt reminder switch/light	<input type="checkbox"/> <input type="checkbox"/> <input type="checkbox"/> <input type="checkbox"/>
3 Door button opening/closing functionality (with door lock ON/OFF). Check door opening from the outside with mechanical key and Smart key and from the internal with e-Latch and mechanical unlocking.	<input type="checkbox"/> <input type="checkbox"/> <input type="checkbox"/> <input type="checkbox"/>
4 Door opening/closing noise or difficulties (with window up/down)	<input type="checkbox"/> <input type="checkbox"/> <input type="checkbox"/> <input type="checkbox"/>
5 Left front seat heater (if present)	<input type="checkbox"/> <input type="checkbox"/> <input type="checkbox"/> <input type="checkbox"/>
6 Left front seat ventilation (if present)	<input type="checkbox"/> <input type="checkbox"/> <input type="checkbox"/> <input type="checkbox"/>
7 Door courtesy light	<input type="checkbox"/> <input type="checkbox"/> <input type="checkbox"/> <input type="checkbox"/>
8 Left front sun visor	<input type="checkbox"/> <input type="checkbox"/> <input type="checkbox"/> <input type="checkbox"/>
9 Left front power window	<input type="checkbox"/> <input type="checkbox"/> <input type="checkbox"/> <input type="checkbox"/>
10 Left front vents	<input type="checkbox"/> <input type="checkbox"/> <input type="checkbox"/> <input type="checkbox"/>

11 "Easy Entry" seat back tilt	<input type="checkbox"/> <input type="checkbox"/> <input type="checkbox"/> <input type="checkbox"/>
12 Check the functioning of the vanity light on the sun visor	<input type="checkbox"/> <input type="checkbox"/> <input type="checkbox"/> <input type="checkbox"/>
<b>2.3 Left rear</b>	
1 Left rear seat belt (sliding/return/insert)	<input type="checkbox"/> <input type="checkbox"/> <input type="checkbox"/> <input type="checkbox"/>
2 Door button opening/closing functionality (with door lock ON/OFF). Check door opening from the outside with Smart key, and from the internal with e-Latch	<input type="checkbox"/> <input type="checkbox"/> <input type="checkbox"/> <input type="checkbox"/>
3 Door opening/closing noise or difficulties (with window up/down)	<input type="checkbox"/> <input type="checkbox"/> <input type="checkbox"/> <input type="checkbox"/>
4 Child lock	<input type="checkbox"/> <input type="checkbox"/> <input type="checkbox"/> <input type="checkbox"/>
5 Left rear seat heater (if present)	<input type="checkbox"/> <input type="checkbox"/> <input type="checkbox"/> <input type="checkbox"/>
6 Door courtesy light	<input type="checkbox"/> <input type="checkbox"/> <input type="checkbox"/> <input type="checkbox"/>
7 Left rear power window	<input type="checkbox"/> <input type="checkbox"/> <input type="checkbox"/> <input type="checkbox"/>
8 Left rear HVAC controls/vents	<input type="checkbox"/> <input type="checkbox"/> <input type="checkbox"/> <input type="checkbox"/>
9 USB power sockets	<input type="checkbox"/> <input type="checkbox"/> <input type="checkbox"/> <input type="checkbox"/>
10 Rear seat folding	<input type="checkbox"/> <input type="checkbox"/> <input type="checkbox"/> <input type="checkbox"/>
11 Rear armrest and storage compartment lid	<input type="checkbox"/> <input type="checkbox"/> <input type="checkbox"/> <input type="checkbox"/>
<b>2.4 Luggage compartment</b>	
1 Luggage compartment opening and closing (with keyfobs, exterior and interior buttons and hands-free sensor)	<input type="checkbox"/> <input type="checkbox"/> <input type="checkbox"/> <input type="checkbox"/>
2 Luggage compartment hinges, alignment and struts	<input type="checkbox"/> <input type="checkbox"/> <input type="checkbox"/> <input type="checkbox"/>
3 Emergency equipment: reflective jacket, warning triangle, first aid kit (check expiry date)	<input type="checkbox"/> <input type="checkbox"/> <input type="checkbox"/> <input type="checkbox"/>
4 Luggage compartment light	<input type="checkbox"/> <input type="checkbox"/> <input type="checkbox"/> <input type="checkbox"/>
5 Tyre repair kit (presence, condition, expiry date)	<input type="checkbox"/> <input type="checkbox"/> <input type="checkbox"/> <input type="checkbox"/>
6 Spare wheel (if present): condition, correct tyre pressure	<input type="checkbox"/> <input type="checkbox"/> <input type="checkbox"/> <input type="checkbox"/>
7 Emergency tool kit (completeness)	<input type="checkbox"/> <input type="checkbox"/> <input type="checkbox"/> <input type="checkbox"/>
8 Charging cables and accessories (presence, condition)	<input type="checkbox"/> <input type="checkbox"/> <input type="checkbox"/> <input type="checkbox"/>
9 12V power socket	<input type="checkbox"/> <input type="checkbox"/> <input type="checkbox"/> <input type="checkbox"/>
10 Charge Cable Emergency Unlock	<input type="checkbox"/> <input type="checkbox"/> <input type="checkbox"/> <input type="checkbox"/>
<b>2.5 Right rear</b>	
1 Right rear seat belt (sliding/return/insert)	<input type="checkbox"/> <input type="checkbox"/> <input type="checkbox"/> <input type="checkbox"/>
2 Door button opening/closing functionality (with door lock ON/OFF). Check door opening from the outside with Smart key, and from the internal with e-Latch	<input type="checkbox"/> <input type="checkbox"/> <input type="checkbox"/> <input type="checkbox"/>
3 Door opening/closing noise or difficulties (with window up/down)	<input type="checkbox"/> <input type="checkbox"/> <input type="checkbox"/> <input type="checkbox"/>
4 Child lock	<input type="checkbox"/> <input type="checkbox"/> <input type="checkbox"/> <input type="checkbox"/>
5 Right rear seat heater (if present)	<input type="checkbox"/> <input type="checkbox"/> <input type="checkbox"/> <input type="checkbox"/>
6 Door courtesy light	<input type="checkbox"/> <input type="checkbox"/> <input type="checkbox"/> <input type="checkbox"/>
7 Right rear power window	<input type="checkbox"/> <input type="checkbox"/> <input type="checkbox"/> <input type="checkbox"/>
8 Right rear HVAC controls/vents	<input type="checkbox"/> <input type="checkbox"/> <input type="checkbox"/> <input type="checkbox"/>
9 USB socket	<input type="checkbox"/> <input type="checkbox"/> <input type="checkbox"/> <input type="checkbox"/>
10 Rear seat folding	<input type="checkbox"/> <input type="checkbox"/> <input type="checkbox"/> <input type="checkbox"/>
11 Dome lights	<input type="checkbox"/> <input type="checkbox"/> <input type="checkbox"/> <input type="checkbox"/>
12 Centre headrest release	<input type="checkbox"/> <input type="checkbox"/> <input type="checkbox"/> <input type="checkbox"/>
13 Central rear safety belt (sliding/return/insert)	<input type="checkbox"/> <input type="checkbox"/> <input type="checkbox"/> <input type="checkbox"/>
<b>2.6 Right front</b>	
1 Right front seat belt/height adjuster (sliding/return/insert)	<input type="checkbox"/> <input type="checkbox"/> <input type="checkbox"/> <input type="checkbox"/>
2 Seat belt reminder switch/light	<input type="checkbox"/> <input type="checkbox"/> <input type="checkbox"/> <input type="checkbox"/>
3 Door button opening/closing functionality (with door lock ON/OFF). Check door opening from the outside with Smart key, and from the internal with e-Latch	<input type="checkbox"/> <input type="checkbox"/> <input type="checkbox"/> <input type="checkbox"/>
4 Door opening/closing noise or difficulties (with window up/down)	<input type="checkbox"/> <input type="checkbox"/> <input type="checkbox"/> <input type="checkbox"/>
5 Power seat controls and movement	<input type="checkbox"/> <input type="checkbox"/> <input type="checkbox"/> <input type="checkbox"/>
6 Right front seat heater (if present)	<input type="checkbox"/> <input type="checkbox"/> <input type="checkbox"/> <input type="checkbox"/>
7 Right front seat ventilation (if present)	<input type="checkbox"/> <input type="checkbox"/> <input type="checkbox"/> <input type="checkbox"/>
8 Door courtesy light	<input type="checkbox"/> <input type="checkbox"/> <input type="checkbox"/> <input type="checkbox"/>

9	Right front sun visor	<input type="checkbox"/>	<input type="checkbox"/>	<input type="checkbox"/>	<input type="checkbox"/>
10	Right front vents	<input type="checkbox"/>	<input type="checkbox"/>	<input type="checkbox"/>	<input type="checkbox"/>
11	Glove box handle, lock and light	<input type="checkbox"/>	<input type="checkbox"/>	<input type="checkbox"/>	<input type="checkbox"/>
12	Check the functioning of the vanity light on the sun visor	<input type="checkbox"/>	<input type="checkbox"/>	<input type="checkbox"/>	<input type="checkbox"/>
<b>3 EXTERIOR</b>					
<b>3.0 Exterior walkaround and security check</b>					
1	All doors lock properly with keyfob	<input type="checkbox"/>	<input type="checkbox"/>	<input type="checkbox"/>	<input type="checkbox"/>
2	All doors unlock and open properly with keyfob	<input type="checkbox"/>	<input type="checkbox"/>	<input type="checkbox"/>	<input type="checkbox"/>
3	Check door opening/closure by proximity (keyless)	<input type="checkbox"/>	<input type="checkbox"/>	<input type="checkbox"/>	<input type="checkbox"/>
4	Anti theft alarm system (functionality)	<input type="checkbox"/>	<input type="checkbox"/>	<input type="checkbox"/>	<input type="checkbox"/>
5	Body, paintwork and glass damage	<input type="checkbox"/>	<input type="checkbox"/>	<input type="checkbox"/>	<input type="checkbox"/>
6	Headlights: high and low beam, position/DRL, turn indicator and side marker lights	<input type="checkbox"/>	<input type="checkbox"/>	<input type="checkbox"/>	<input type="checkbox"/>
7	Side turn indicator lights	<input type="checkbox"/>	<input type="checkbox"/>	<input type="checkbox"/>	<input type="checkbox"/>
8	Taillights: position, brake (side and central), reverse, turn indicator, and fog lights	<input type="checkbox"/>	<input type="checkbox"/>	<input type="checkbox"/>	<input type="checkbox"/>
9	Side vents lighting	<input type="checkbox"/>	<input type="checkbox"/>	<input type="checkbox"/>	<input type="checkbox"/>
<b>3.1 Front exterior</b>					
1	Front headlight lens condition	<input type="checkbox"/>	<input type="checkbox"/>	<input type="checkbox"/>	<input type="checkbox"/>
2	Front bumper, grille and trident emblem (fixing, alignment, damages)	<input type="checkbox"/>	<input type="checkbox"/>	<input type="checkbox"/>	<input type="checkbox"/>
3	Parking sensors (position and condition)	<input type="checkbox"/>	<input type="checkbox"/>	<input type="checkbox"/>	<input type="checkbox"/>
4	Number plate (fixing, condition)	<input type="checkbox"/>	<input type="checkbox"/>	<input type="checkbox"/>	<input type="checkbox"/>
5	Windscreen glass	<input type="checkbox"/>	<input type="checkbox"/>	<input type="checkbox"/>	<input type="checkbox"/>
6	Windscreen wiper blades	<input type="checkbox"/>	<input type="checkbox"/>	<input type="checkbox"/>	<input type="checkbox"/>
7	Towbar: check presence, installation, safety key and front bumper cover	<input type="checkbox"/>	<input type="checkbox"/>	<input type="checkbox"/>	<input type="checkbox"/>
<b>3.2 Left front exterior</b>					
1	Door lock cylinder functionality	<input type="checkbox"/>	<input type="checkbox"/>	<input type="checkbox"/>	<input type="checkbox"/>
2	Keyless entry functionality: door unlock/lock (see user manual)	<input type="checkbox"/>	<input type="checkbox"/>	<input type="checkbox"/>	<input type="checkbox"/>
3	Left front side mirror housing and glass	<input type="checkbox"/>	<input type="checkbox"/>	<input type="checkbox"/>	<input type="checkbox"/>
4	Left front door hinge and alignment	<input type="checkbox"/>	<input type="checkbox"/>	<input type="checkbox"/>	<input type="checkbox"/>
5	Left front door seals	<input type="checkbox"/>	<input type="checkbox"/>	<input type="checkbox"/>	<input type="checkbox"/>
<b>3.3 Left rear exterior</b>					
1	Left rear door hinge and alignment	<input type="checkbox"/>	<input type="checkbox"/>	<input type="checkbox"/>	<input type="checkbox"/>
2	Left rear door seals	<input type="checkbox"/>	<input type="checkbox"/>	<input type="checkbox"/>	<input type="checkbox"/>
<b>3.4 Rear exterior</b>					
1	Rear window defrost element	<input type="checkbox"/>	<input type="checkbox"/>	<input type="checkbox"/>	<input type="checkbox"/>
2	Rear window wiper blade	<input type="checkbox"/>	<input type="checkbox"/>	<input type="checkbox"/>	<input type="checkbox"/>
3	Number plate: fixing, condition and lights	<input type="checkbox"/>	<input type="checkbox"/>	<input type="checkbox"/>	<input type="checkbox"/>
4	Rear bumper fascia (fixing, alignment, damages)	<input type="checkbox"/>	<input type="checkbox"/>	<input type="checkbox"/>	<input type="checkbox"/>
5	Parking sensors (position and condition)	<input type="checkbox"/>	<input type="checkbox"/>	<input type="checkbox"/>	<input type="checkbox"/>
6	Towing hook: presence, mounting, security key, bumper hatch cover	<input type="checkbox"/>	<input type="checkbox"/>	<input type="checkbox"/>	<input type="checkbox"/>
7	Charge door correctly locking and unlocking	<input type="checkbox"/>	<input type="checkbox"/>	<input type="checkbox"/>	<input type="checkbox"/>
<b>3.5 Right rear exterior</b>					
1	Right rear door hinge and alignment	<input type="checkbox"/>	<input type="checkbox"/>	<input type="checkbox"/>	<input type="checkbox"/>
2	Right rear door seals	<input type="checkbox"/>	<input type="checkbox"/>	<input type="checkbox"/>	<input type="checkbox"/>
<b>3.6 Right front exterior</b>					
1	Keyless entry functionality: door unlock/lock (see user manual)	<input type="checkbox"/>	<input type="checkbox"/>	<input type="checkbox"/>	<input type="checkbox"/>
2	Right front side mirror housing and glass	<input type="checkbox"/>	<input type="checkbox"/>	<input type="checkbox"/>	<input type="checkbox"/>
3	Right front door hinge and alignment	<input type="checkbox"/>	<input type="checkbox"/>	<input type="checkbox"/>	<input type="checkbox"/>
4	Right front door seals	<input type="checkbox"/>	<input type="checkbox"/>	<input type="checkbox"/>	<input type="checkbox"/>
<b>3.7 Top exterior</b>					
1	Sunroof glass and seals (test for leaks) (if present)	<input type="checkbox"/>	<input type="checkbox"/>	<input type="checkbox"/>	<input type="checkbox"/>
2	Roof antenna	<input type="checkbox"/>	<input type="checkbox"/>	<input type="checkbox"/>	<input type="checkbox"/>
<b>3.8 Wheels and tyres</b>					
1	Wheels: balancing weights in place	<input type="checkbox"/>	<input type="checkbox"/>	<input type="checkbox"/>	<input type="checkbox"/>
2	Tyres: correct size and specification	<input type="checkbox"/>	<input type="checkbox"/>	<input type="checkbox"/>	<input type="checkbox"/>

3 Tyres	Condition	Tread depth and wear evenness	Pressure (measure w/ gauge)
Front left	<input type="checkbox"/>	<input type="checkbox"/>	<input type="checkbox"/>
Rear left	<input type="checkbox"/>	<input type="checkbox"/>	<input type="checkbox"/>
Rear right	<input type="checkbox"/>	<input type="checkbox"/>	<input type="checkbox"/>
Front right	<input type="checkbox"/>	<input type="checkbox"/>	<input type="checkbox"/>

4 Rims	Condition	Bolts tightening (with dynamometric wrench)	Wheel bearing condition (play, noise)
Front left	<input type="checkbox"/>	<input type="checkbox"/>	<input type="checkbox"/>
Rear left	<input type="checkbox"/>	<input type="checkbox"/>	<input type="checkbox"/>
Rear right	<input type="checkbox"/>	<input type="checkbox"/>	<input type="checkbox"/>
Front right	<input type="checkbox"/>	<input type="checkbox"/>	<input type="checkbox"/>

4 ENGINE COMPARTMENT	
1	Under bonnet insulation (integrity, fixing) <input type="checkbox"/>
2	Engine cover/insulation (integrity, fixing) <input type="checkbox"/>
3	Lid latch release mechanism and secondary or safety catch <input type="checkbox"/>
4	Windscreen washer fluid level and reservoir cap <input type="checkbox"/>
5	All hoses (cracks, damages, leaks) <input type="checkbox"/>
6	Engine coolant circuit(s): fluid level, reservoir and cap integrity <input type="checkbox"/>
7	Signs of oil/soot in coolant <input type="checkbox"/>
8	Signs of overheating <input type="checkbox"/>
9	Brake fluid level, reservoir and cap check <input type="checkbox"/>
10	Brake fluid last replacement (no more than 2 years) <input type="checkbox"/>
11	Check integrity of visible structural members (suspension domes, upper engine mounts, radiator group supports...) <input type="checkbox"/>
12	12V battery: secure attachment, correct type, no visible damage <input type="checkbox"/>
13	General inspection of all electrical components and visible HV components (no leaks and damage) <input type="checkbox"/>

5 UNDER THE VEHICLE	
<b>5.1 Under body</b>	
1	Frame spot welds and seams (condition, integrity) <input type="checkbox"/>
2	Front sub frame (fixing, condition) <input type="checkbox"/>
3	Engine mounts (bottom area) <input type="checkbox"/>
4	Front suspension arms <input type="checkbox"/>
5	Front suspension: struts, shocks and spring <input type="checkbox"/>
6	Front suspension: sway bars/links/bushings <input type="checkbox"/>
7	Steering arms, rack and boots: integrity and leak check <input type="checkbox"/>
8	Rear sub frame (fixing, condition) <input type="checkbox"/>
9	Rear suspension arms <input type="checkbox"/>
10	Rear suspension: struts, shocks and spring <input type="checkbox"/>
11	Rear suspension: sway bars/links/bushings <input type="checkbox"/>
12	Bottom of front and rear bumpers (visual damage) <input type="checkbox"/>
13	Side sills (fixing, condition) <input type="checkbox"/>
14	Under body covers and heat shields (fixing, condition) <input type="checkbox"/>
15	Visual inspection of all exposed electrical components and connections <input type="checkbox"/>
16	Visible leaks <input type="checkbox"/>

5.2 Transmission/Transaxle/Differential	
1	Visible leaks <input type="checkbox"/>

5.3 Brakes	
1	Parking brake cables or electrical connections <input type="checkbox"/>
2	Brake calipers, hoses, lines and fittings: inspect for cracks and leaks <input type="checkbox"/>

3 Brake pads	Condition and thickness
Front left	<input type="checkbox"/>
Rear left	<input type="checkbox"/>
Rear right	<input type="checkbox"/>
Front right	<input type="checkbox"/>

4 Brake disc	Condition and thickness
Front left	<input type="checkbox"/> <input type="checkbox"/> <input type="checkbox"/>
Rear left	<input type="checkbox"/> <input type="checkbox"/> <input type="checkbox"/>
Rear right	<input type="checkbox"/> <input type="checkbox"/> <input type="checkbox"/>
Front right	<input type="checkbox"/> <input type="checkbox"/> <input type="checkbox"/>

## 6 OVERALL FUNCTIONAL ROAD TEST

### 6.1 Engine and drivetrain

1 Idle drive	<input type="checkbox"/> <input type="checkbox"/> <input type="checkbox"/>
2 AWD disconnect function (if present)	<input type="checkbox"/> <input type="checkbox"/> <input type="checkbox"/>
3 Drive modes [MAX RANGE-GT-SPORT-OFF ROAD]	<input type="checkbox"/> <input type="checkbox"/> <input type="checkbox"/>
4 Cooling fan (check activation with hot engine)	<input type="checkbox"/> <input type="checkbox"/> <input type="checkbox"/>
5 eCoasting (Level Paddles: D--/D-/D+) and eBraking system functionality	<input type="checkbox"/> <input type="checkbox"/> <input type="checkbox"/>

### 6.2 Braking

1 Brake pedal feel, free play and travel	<input type="checkbox"/> <input type="checkbox"/> <input type="checkbox"/>
2 Braking performance (stopping distance, tendency to lock wheels)	<input type="checkbox"/> <input type="checkbox"/> <input type="checkbox"/>
3 Braking behaviour (noise, vibrations, pulling or pulsating)	<input type="checkbox"/> <input type="checkbox"/> <input type="checkbox"/>
4 ABS functionality	<input type="checkbox"/> <input type="checkbox"/> <input type="checkbox"/>
5 Emergency braking (via EPB switch)	<input type="checkbox"/> <input type="checkbox"/> <input type="checkbox"/>
6 Parking brake (proper operation)	<input type="checkbox"/> <input type="checkbox"/> <input type="checkbox"/>
7 Hill holder functionality (on slope)	<input type="checkbox"/> <input type="checkbox"/> <input type="checkbox"/>

### 6.3 Overall driveability and functionality

1 Steering behaviour (tracking, pulling, play in the steering system)	<input type="checkbox"/> <input type="checkbox"/> <input type="checkbox"/>
2 Steering effort, power steering functionality	<input type="checkbox"/> <input type="checkbox"/> <input type="checkbox"/>
3 Steering wheel (return, central position alignment, free play, symmetry in turning circle)	<input type="checkbox"/> <input type="checkbox"/> <input type="checkbox"/>
4 Suspension performance (handling, damping, leaning, noises)	<input type="checkbox"/> <input type="checkbox"/> <input type="checkbox"/>
5 Overall vehicle ride quality (noise, vibration)	<input type="checkbox"/> <input type="checkbox"/> <input type="checkbox"/>
6 Instrument panel gauges operation	<input type="checkbox"/> <input type="checkbox"/> <input type="checkbox"/>
7 Cruise control (traditional and adaptive)	<input type="checkbox"/> <input type="checkbox"/> <input type="checkbox"/>
8 LDW: Lane departure chime and visual warning	<input type="checkbox"/> <input type="checkbox"/> <input type="checkbox"/>
9 Blind spot alert chime and visual warning	<input type="checkbox"/> <input type="checkbox"/> <input type="checkbox"/>
10 AVAS and BEV sound system functionality	<input type="checkbox"/> <input type="checkbox"/> <input type="checkbox"/>
11 SAT/NAVI functionality	<input type="checkbox"/> <input type="checkbox"/> <input type="checkbox"/>
12 HVAC operating performance (selecting COLD - HOT)	<input type="checkbox"/> <input type="checkbox"/> <input type="checkbox"/>
13 Rear/surround view system (test and lens cleaning)	<input type="checkbox"/> <input type="checkbox"/> <input type="checkbox"/>
14 Automatic door lock after departure (depending on settings)	<input type="checkbox"/> <input type="checkbox"/> <input type="checkbox"/>
15 Parking sensors operation (front and rear, both sides)	<input type="checkbox"/> <input type="checkbox"/> <input type="checkbox"/>
16 Rear view camera/360° view camera (check functionality)	<input type="checkbox"/> <input type="checkbox"/> <input type="checkbox"/>
17 Air suspension: all levels available, from Park to Off road 2 (except Aero 2, not available in static)	<input type="checkbox"/> <input type="checkbox"/> <input type="checkbox"/>

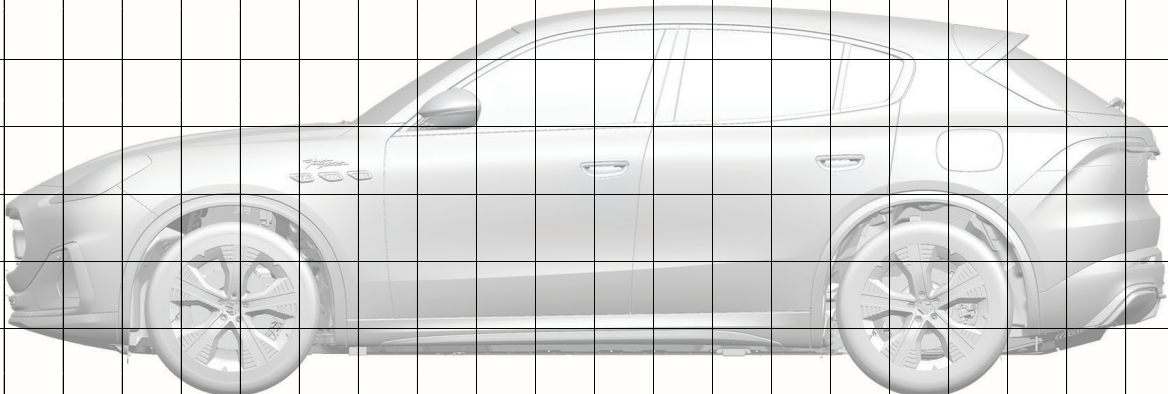
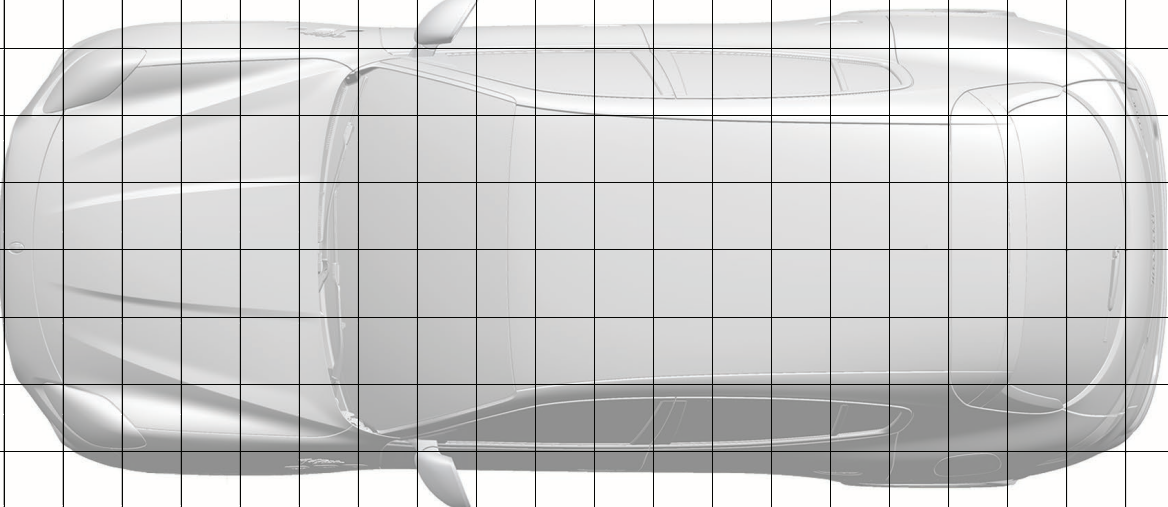
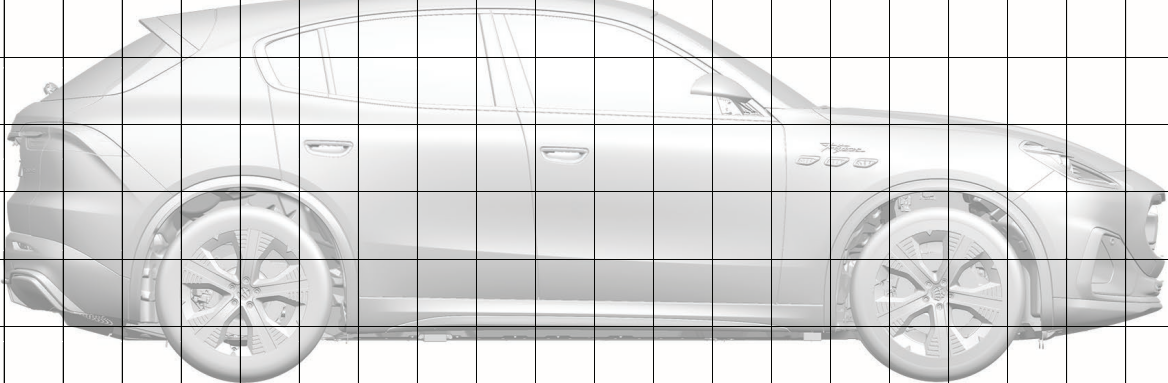
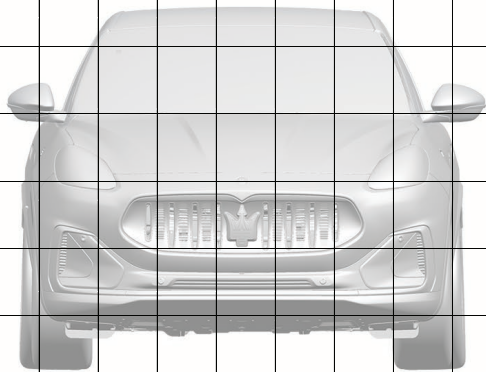
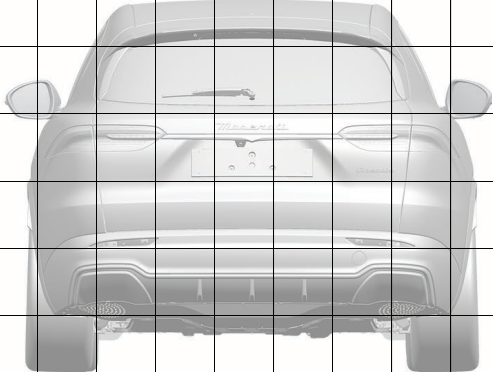
### 6.4 After road test

1 Visible leaks	<input type="checkbox"/> <input type="checkbox"/> <input type="checkbox"/>
2 Check warning lamps and stored messages	<input type="checkbox"/> <input type="checkbox"/> <input type="checkbox"/>
3 Check for error codes using MD tester	<input type="checkbox"/> <input type="checkbox"/> <input type="checkbox"/>

## 7 OTHER CHECKS

1 Check for TPMS correct calibration and functionality	<input type="checkbox"/> <input type="checkbox"/> <input type="checkbox"/>
2 Check for maps and IVH updates	<input type="checkbox"/> <input type="checkbox"/> <input type="checkbox"/>
3 Check of HV battery state of charge and top-up, if necessary	<input type="checkbox"/> <input type="checkbox"/> <input type="checkbox"/>

8. FAULT LOCATION

	1	2	3	4	5	6	7	8	9	10	11	12	13	14	15	16	17	18	19	20	21	22	23
A																							
B																							
C																							
D																							
E																							
F																							
G																							
H																							
I																							
J																							
K																							
L																							
M																							
N																							
O																							
P																							
Q																							
R																							
S																							
T																							
U																							
V																							
W																							
X																							
Y																							
Z																							

Insert coordinates, suspected component (if identified)

---



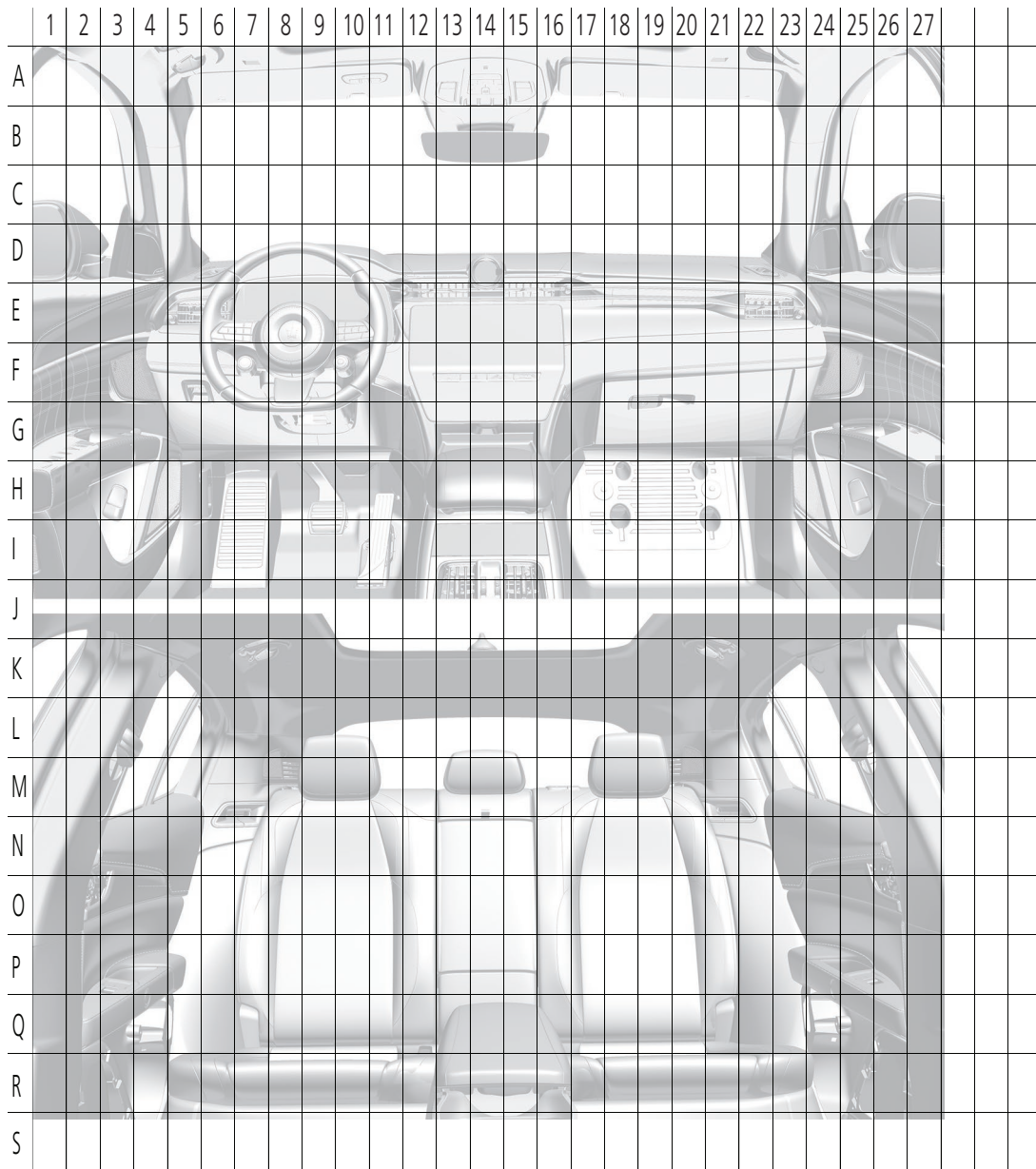
---



---



---



Insert coordinates, suspected component (if identified)

---



---



---

**Extra/Notes**

**Section Item**

<input type="checkbox"/>	<input type="checkbox"/>	/	<input type="checkbox"/>	<input type="checkbox"/>	
<input type="checkbox"/>	<input type="checkbox"/>	/	<input type="checkbox"/>	<input type="checkbox"/>	
<input type="checkbox"/>	<input type="checkbox"/>	/	<input type="checkbox"/>	<input type="checkbox"/>	
<input type="checkbox"/>	<input type="checkbox"/>	/	<input type="checkbox"/>	<input type="checkbox"/>	
<input type="checkbox"/>	<input type="checkbox"/>	/	<input type="checkbox"/>	<input type="checkbox"/>	
<input type="checkbox"/>	<input type="checkbox"/>	/	<input type="checkbox"/>	<input type="checkbox"/>	

**Dealership stamp**

**Inspection performed by**  
(Name/Surname)

**Inspection date**  
(MM/DD/YYYY)

**Signature**